



## Wireless coverage in Q iqihar rural area

## Requirement Background

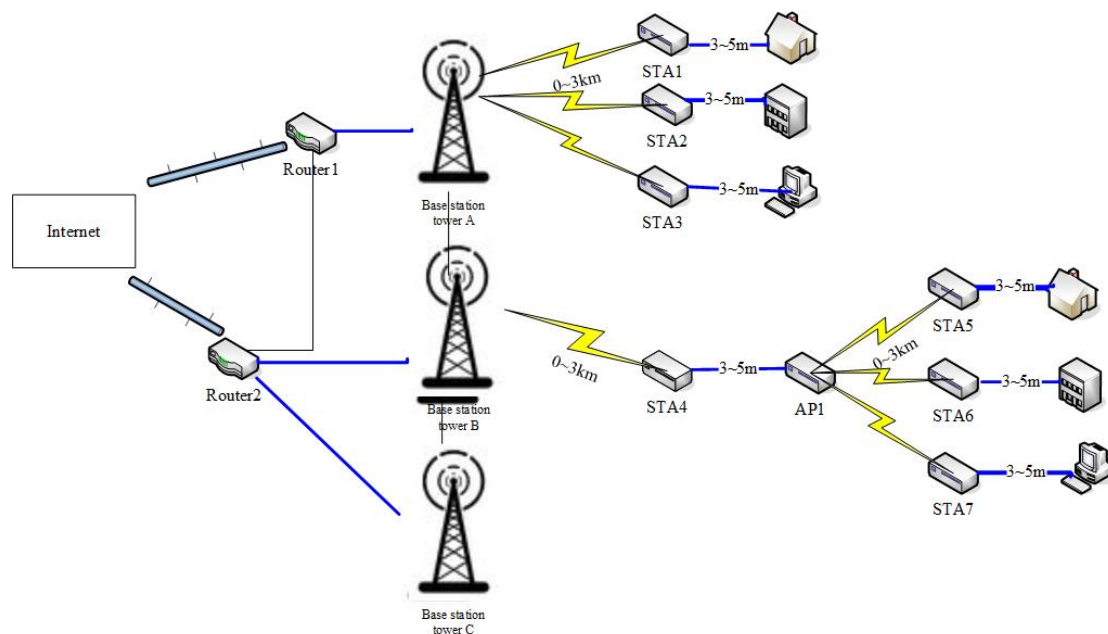
Rural Internet construction has very important significance to the development of rural economy and culture. Wireless broadband network is an advanced method for the construction of rural network. Rural construction is characterized by its simple structure and relatively low height, which is very suitable for the application of wireless network. Providing broadband network access through wireless coverage can greatly reduce the complexity of the construction and save the network comprehensive cost,

## Requirement Analysis

This project mainly for rural surveillance and wireless coverage. Three wireless base stations are set up in the village. Wireless base stations transmit radio signals to the village. Wireless coverage of the radius of the distance is 3 km. This project can transmit about 30 video data, each of which is 4M HD stream.

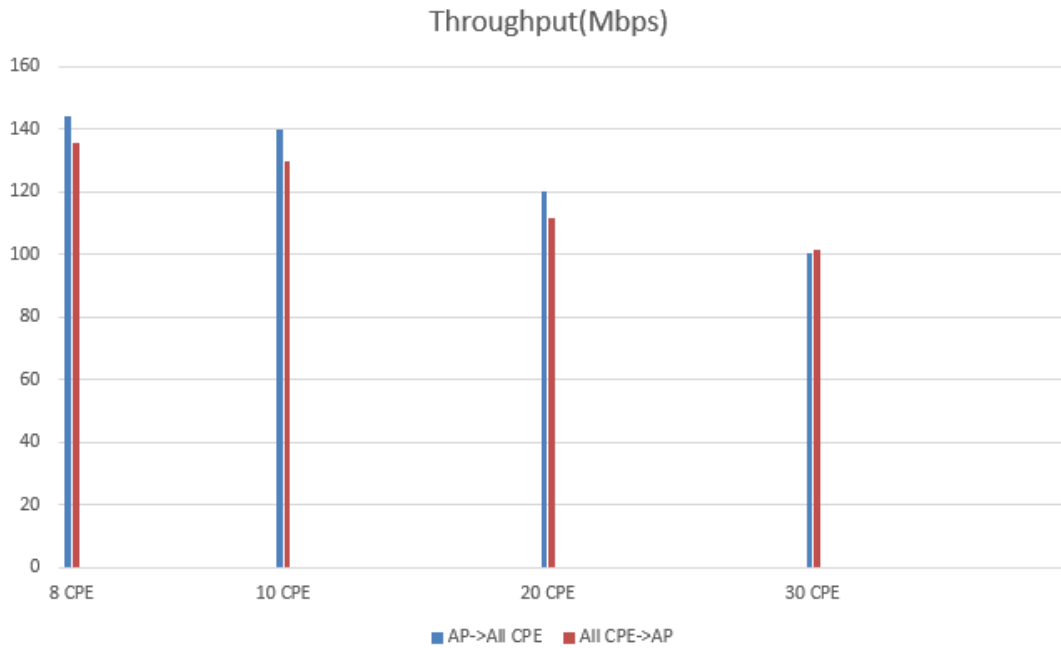
## System Topology

Using TB5F as the receiving terminal equipment. The horizontal angle of each TB5F antenna is 90 degrees, set up 4 sets of TB5F can achieve 360 degree coverage. The client uses the TB5E device to connect the TB5F, and finally connect to the wide area network.

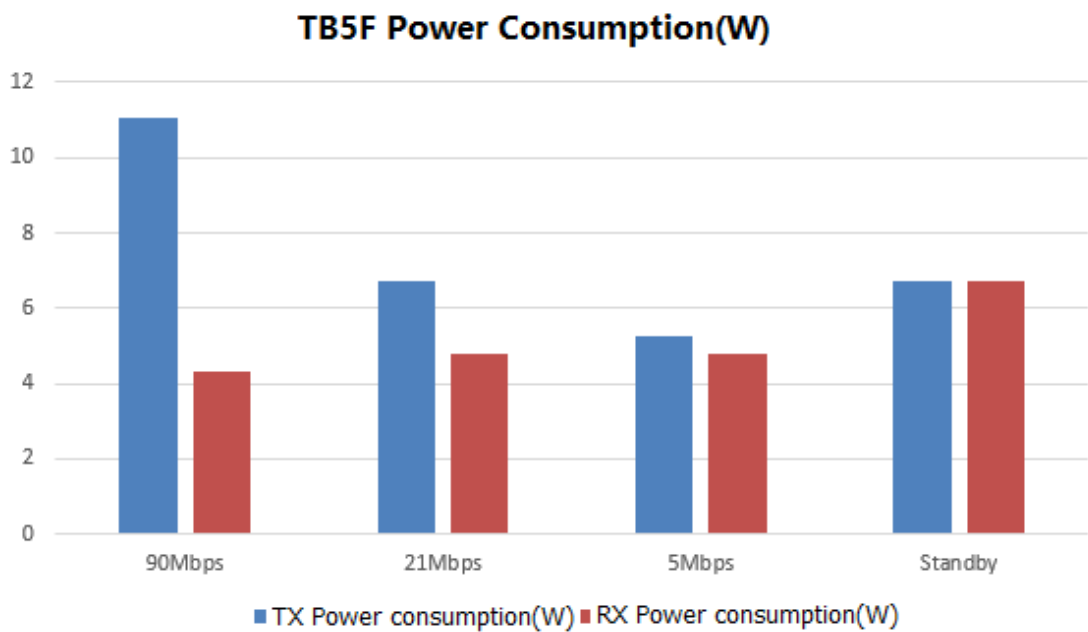


## Throughput

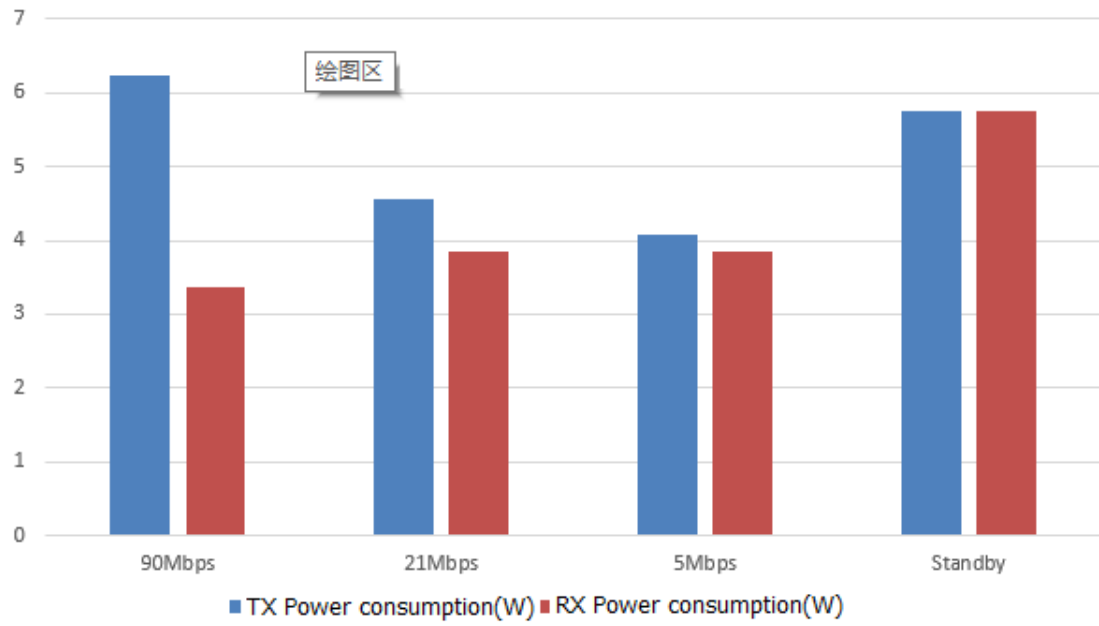
AP: TB5F; CPE: TB5E



## Power consumption



### TB5E Power Consumption(W)



Application case

