



# TB2Q

802.11 b/g/n 2.4G high-performance bridge for elevator application



TDMA



Intelligent  
Rate Control



ACK Time-out  
Adjustment



2x2 MiMo



High  
Throughput



Point-to-point



Hardware  
Watchdog



POE+

## Release Notes

Date	Version Number	Editor	Change log	Remarks
2020-04-23	V1.0	Guifang	Create	
2020-11-19	V1.1	Guifang	Modify power consumption	

## Product Feature

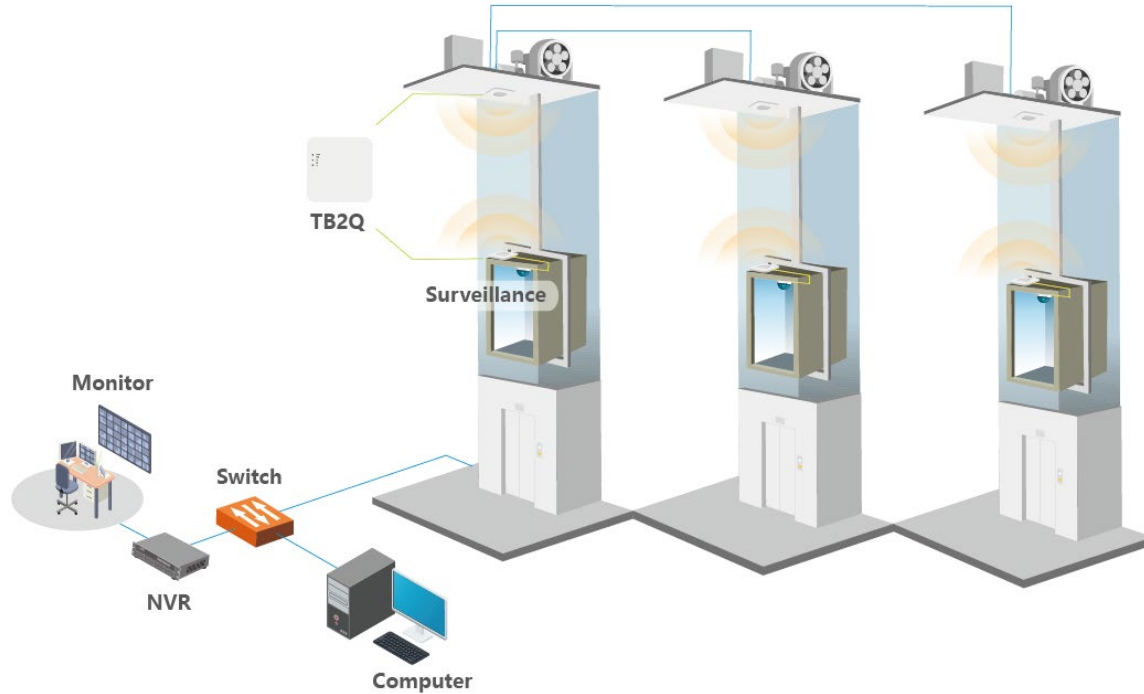
- Supports 802.11 b/g/n standard
- The highest transmission rate is 300Mbps
- Indoor transmission distance: 0~200m
- Integrated antenna, quick installation
- Built-in VTrans technology, including
  - 1) TDMA: eliminate the performance degradation caused by hidden terminals and maximize the wireless transmission efficiency
  - 2) Frequency (channel) expansion function: eliminate interference caused by the same frequency and adjacent frequency through more frequency selection
  - 3) Band width selection: by adjusting the channel width, the overlapping parts of spectrum can be avoided and the influence of interference by other channels can be reduced
  - 4) AutoAck function: intelligently calculate the ACK value required for long-distance transmission to achieve the optimal performance at this distance
- Supports bridge and router modes, Network architecture can be flexibly deployed by adjusting the network mode of devices
- Intelligent QoS wireless multimedia optimization technology, providing high priority transmission levels for voice and video
- Supports web page management, making installation and maintenance of equipment more convenient
- Supports wireless controller (AC) management, realize remote centralized configuration and upgrade management
- IP41

\*Wireless controller needs to be purchased separately

## Accessory List

						
Sender	Receiver	Mount BracketX2	In wall POE X2	Zip tiesX4	QIG	QC

## Application Scenario



## Specifications

Hardware	Dimensions(mm)	100x100x28mm
	Weight(kg)	0.15kg
	Installation	Clamp or cable tie
	Protection Level	IP41
	Antenna Gain	6dBi
	Beam Width	H: 65°, V60°
	Power Supply	15V passive POE/DC 12V
	Max Power Consumption(W)	4W
	CPU	QCA9531
	DDR & Memory	64MB DRAM,8MB Flash
	Physical Interface	1*10/100Mbps
	Indicator Light	3* Signal strength indicator
	Maximum Transmitted Power	27dBm
	Working Temperature	-20°C~55°C
	Storage Temperature	-40°C~85°C
	Working Humidity	5%~95%RH Non-condensing
	Surge	POE/GE: CM 4KV , DM 2KV

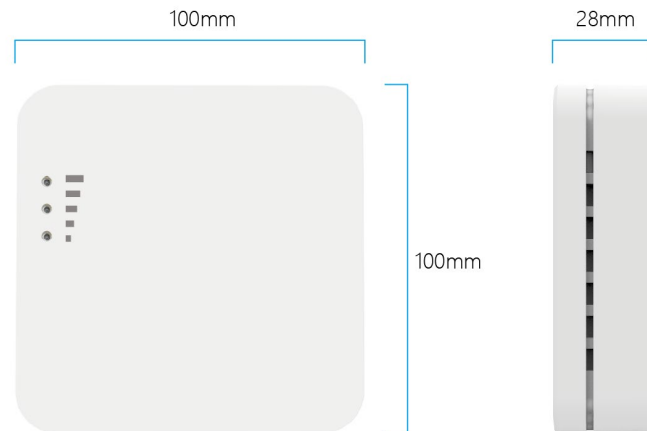
	ESD Protection	Contact 6KV , Air 8KV
Software	Protocol	802.11b/g/n
	Frequency	2412~2472MHz (China) 2412~2462MHz (United States) 2412~2472MHz (Most countries) Supported frequency range: 2312~2732MHz (should depend on the local regulation.) * The above frequencies need specific version support
	Operating Mode	AP, Station, WDS AP, WDS Station
	Security	WPA2-PSK, Hidden SSID, IP/MAC Filtering
	Network Mode	Bridge/ Router
	Management	Support Web/AC/SNMP
	Other	Timed restart, Support VLAN, QoS, Watchdog

## RF Specification

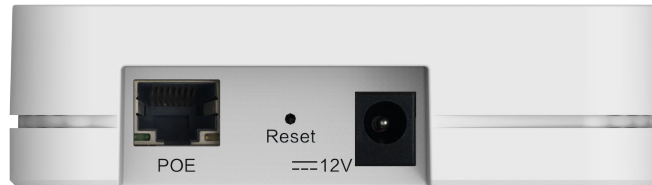
TX Power				Sensitivity		
	Date Rate	Avg. TX	Tolerance	Date Rate	Sensitivity	Tolerance
11b/g/n	1 Mbps	24dBm	+/- 2dBm	1 Mbps	-96dBm	+/- 2dBm
	11 Mbps	24dBm	+/- 2dBm	11 Mbps	-90dBm	+/- 2dBm
	6 Mbps	24dBm	+/- 2dBm	6 Mbps	-91dBm	+/- 2dBm
	54 Mbps	21dBm	+/- 2dBm	54 Mbps	-76dBm	+/- 2dBm
	HT20 MCS0(combination)	27dBm	+/- 2dBm	HT20 MCS0	-91dBm	+/- 2dBm
	HT20 MCS7(combination)	23dBm	+/- 2dBm	HT20 MCS7	-73dBm	+/- 2dBm
	HT40 MCS0(combination)	27dBm	+/- 2dBm	HT40 MCS0	-88dBm	+/- 2dBm
	HT40 MCS7(combination)	23dBm	+/- 2dBm	HT40 MCS7	-70dBm	+/- 2dBm

\* The combined power in the chart above is the result of tested single power plus 3dB

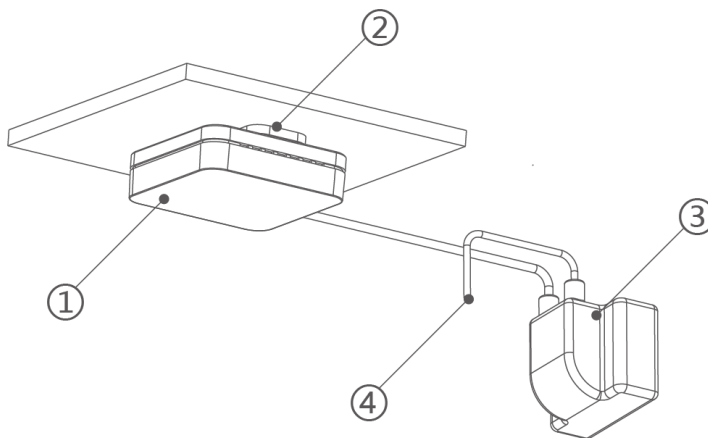
## Dimensions



## Interface



## Installation



1. Wireless Transmission Device
2. Mounting bracket
3. POE Adaptor
4. POE port LAN port can be connected to other external devices

\*The actual installation height needs to be determined according to the transmission distance and the installation environment, and there is no obstruction between the two points.

# Antenna Polar Plots

